



TAI-SAW TECHNOLOGY CO., LTD.

No. 3, Industrial 2nd Rd., Ping-Chen Industrial District,
Taoyuan, 324, Taiwan, R.O.C.

TEL: 886-3-4690038 FAX: 886-3-4697532

E-mail: tstsales@mail.taisaw.com Web: www.taisaw.com

Product Specifications Approval Sheet

Product Description: SAW Resonator 315.00 MHz SMD 3.8X3.8 mm

TST Part No.: TC0182B

Customer Part No.: _____

Customer signature required
Company: _____
Division: _____
Approved by : _____
Date: _____

Checked by: _____ Jimmy Han *Jimmy Han*

Approved by: _____ Francis Chen *Francis Chen*

Date: _____ 2011/03/18

1. Customer signed back is required before TST can proceed with sample build and receive orders.
2. Orders received without customer signed back will be regarded as agreement on the specifications.
3. Any specifications changes must be approved upon by both parties and a new revision of specifications shall be released to reflect the changes.



TAI-SAW TECHNOLOGY CO., LTD.

No. 3, Industrial 2nd Rd., Ping-Chen Industrial District,
Taoyuan, 324, Taiwan, R.O.C.

TEL: 886-3-4690038 FAX: 886-3-4697532

E-mail: tstsales@mail.taisaw.com Web: www.taisaw.com

SAW Resonator 315.00 MHz

MODEL NO.: TC0182B

REV. NO.:2

A. FEATURES:

- 1-Port Resonator.

B. MAXIMUM RATING:

- 1.Input Power Level: 0 dBm
- 2.DC voltage: 12 V
- 3.Operating Temperature: -40°C to +85°C
- 4.Storage Temperature: -40°C to +85°C

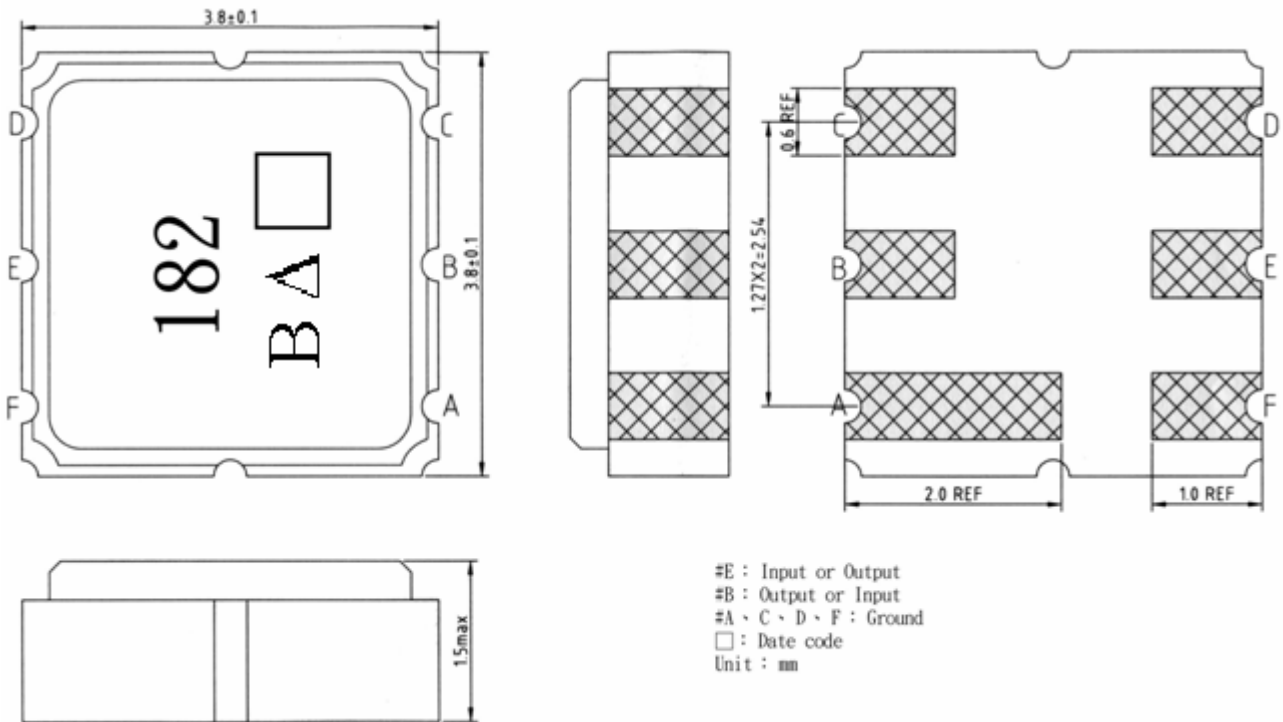
C. ELECTRICAL CHARACTERISTICS:

Reference Temperature $T_A=25^\circ\text{C}$

Characteristic	Units	Minimum	Typical	Maximum
Center frequency F_c	MHz	314.900	315.000	315.100
Insertion Loss IL	dB	-	1.6	2.5
Equivalent Circuit Model				
Motional capacitance C1	fF	-	3.18	-
Motional inductance L1	μH	-	80.36	-
Motional resistance R1	Ohm	-	24.50	-
Parallel capacitance C_o	pF	-	4.76	-
Frequency Temperature coefficient (TC _f)	ppm/c*2	-	0.032	-
Turnover To	deg.C	10	25	40

RoHS Compliant
Lead free
Lead-free soldering

D. OUTLINE DRAWING:



Year	2011 2013	2010 2012
Year Code	C	c

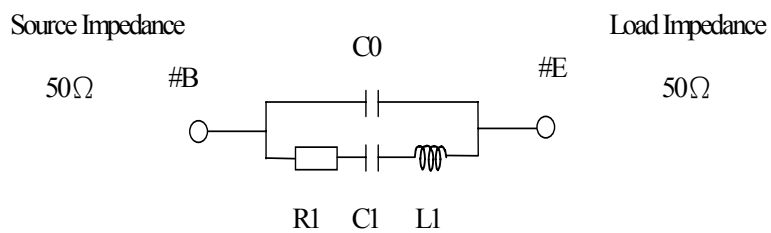
WK	01	02	...	26	27	28	...	52
Code	A	B	...	Z	a	b	...	z

Δ = Year Code

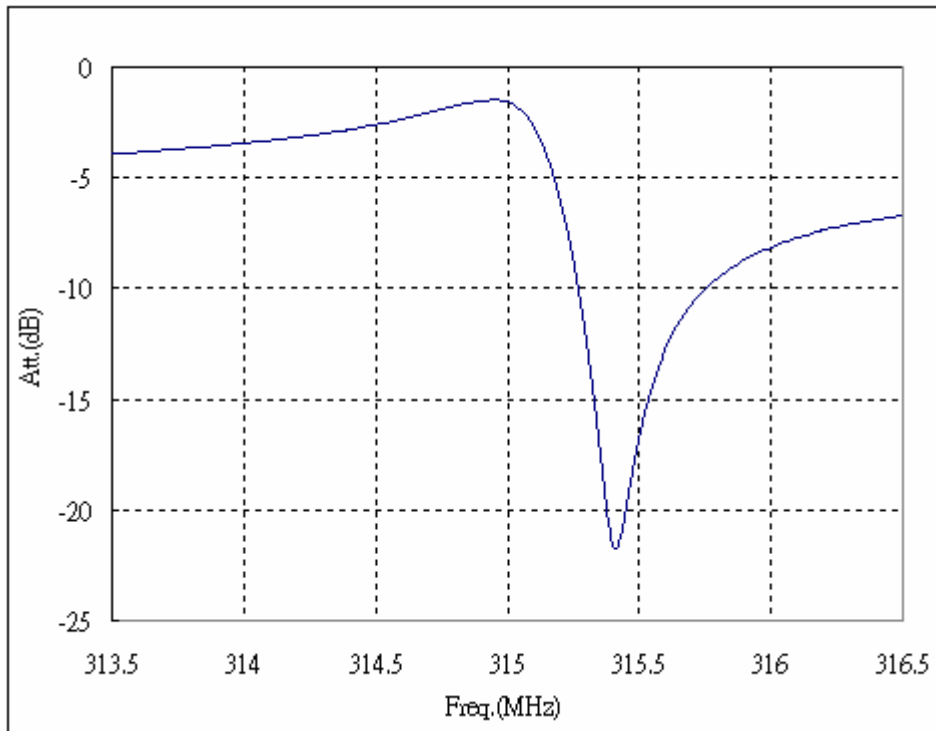
□ = Data Code (Follow Provided by planer each year) the table

E. EQUIVRENT CIRCUIT:

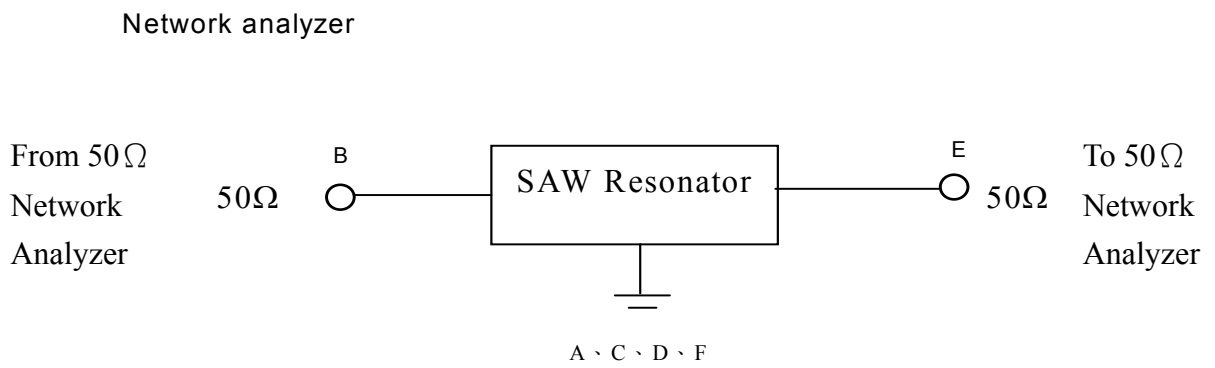
One-Port Resonator:



F.FREQUENCY CHARACTERISTICS:

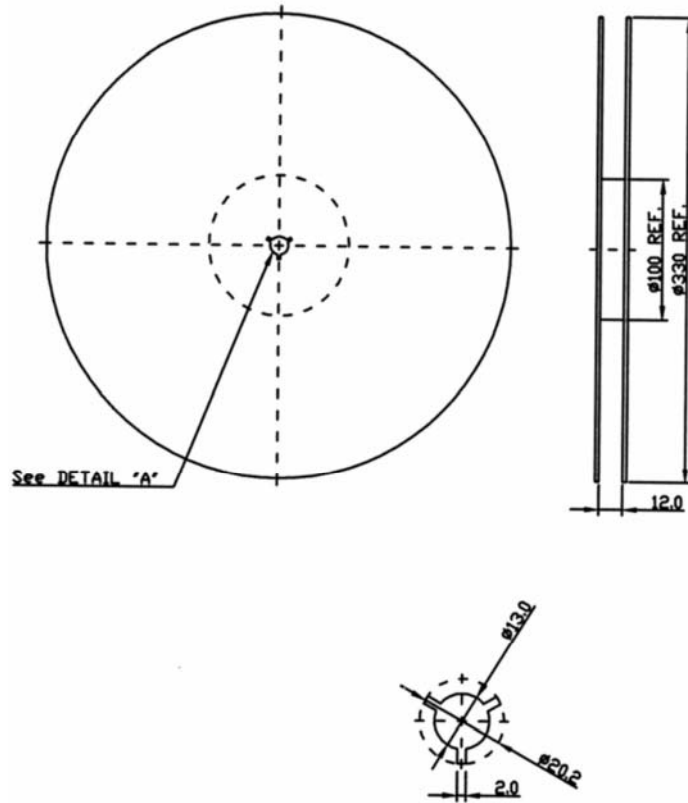


G. TEST CIRCUIT:



H. PACKING:

1. REEL DIMENSION



2. TAPE DIMENSION

